

Technical Data Sheet

Maxol 3



Technical Data Sheet

Maxol 3



PRODUCT BENEFITS

- Adjustable - bidirectional luminaire for excellent light distribution
- Ceiling-recessed luminaire for general area lighting
- Optical and thermal design for maximum luminaire efficiency
- Direct replacement with halogen luminaire is possible
- Possible regulation with: DALI, ENOCAN, 1-10V

TECHNICAL DATA

Electrical data

Input voltage:	12-24 V DC
Power consumption:	5,7 W
Efficiency:	> 0,85
PFC:	/
Life span:	> 50.000 h
Light control:	Optional

Optical technical data

LED QTY	3
Luminous flux (4000K):	320 lm
CCT:	3000K, 4000K, custom*
CRI:	> 80
Luminous efficiency:	70 lm/W
Light angle:	60°

Mechanical data

Operating temperature:	-25°C ~ +40°C
Dimensions:	Ø83 x 68 mm
Recessed opening:	Ø 70 mm
Weight:	260 g

Colour and materials

Colour:	silver, white, black, custom*
Material:	aluminium, metal

Certificates and standards

IP protection:	40
Protection class:	class II (safety insulation)

*Every custom change of product affects the price of product.

ORDERING INFORMATION

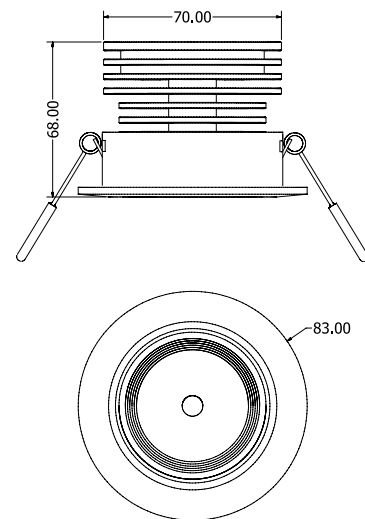
Code	Description
FL08 .103 .02 .30 .06	LED MAXOL3 6W ALU SILVER 4000K ND
FL08 .103 .01 .30 .06	LED MAXOL3 6W ALU SILVER 3000K ND
FL08 .102 .02 .30 .06	LED MAXOL3 6W ALU BLACK 4000K ND
FL08 .102 .01 .30 .06	LED MAXOL3 6W ALU BLACK 3000K ND
FL08 .101 .02 .30 .06	LED MAXOL3 6W ALU WHITE 4000K ND
FL08 .101 .01 .30 .06	LED MAXOL3 6W ALU WHITE 3000K ND

Manufacturer reserves all rights to make changes in materials and components used in its products. All data are subject to change without prior notification.

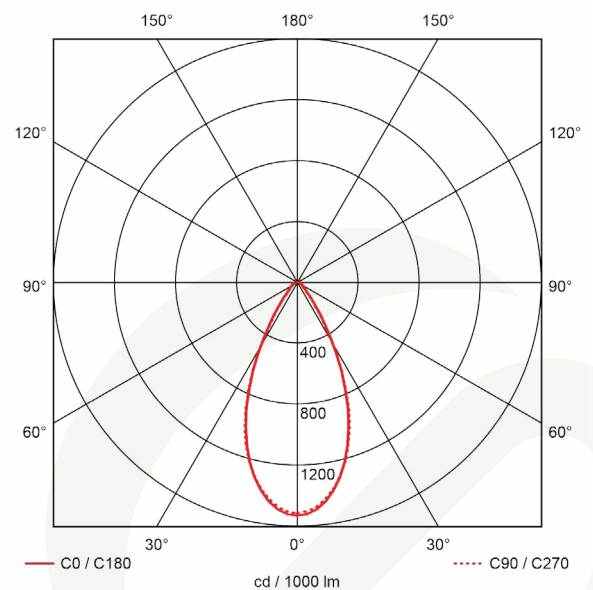


ADDITIONAL PRODUCT DATA

Dimensional drawing



Light distribution



FTA d.o.o.

Cesta Leona Dobrotiška 21a
 SI-3230 Šentjur, Slovenia
 Phone: +386 3 746 19 30
 Fax: +386 3 746 19 37
 E-mail: info@fossilum.com