



Prima Solo 2.0 SET

- Energy efficient LED light
- Ceiling-recessed luminaire for general area lighting
- Great thermal management and long life span

Product benefits

- Ceiling-recessed luminaire for general area lighting
- Optical and thermal design for maximum luminaire efficiency
- Various colour possibilities
- Flexible design concept
- Developed and made in Europe with 3 year warranty.

Technical data

Electrical data

Input voltage:	220 – 240 V/50Hz AC
Power consumption:	8W
Life span:	>50.000
Power supply:	Tridonic LCI 700mA TEC SR

Optical technical data

LED QTY:	6
Luminous flux (4000K,85°C):	570 lm
Colour temperature:	2700K, 3000K, 4000K
CRI:	>80
Luminous efficacy:	97 lm/W
Light angle:	65°

Mechanical data

Operating temperature:	-25°C ~ +40°C
Dimensions:	130 x 66 x 33 mm
Recessed opening:	120 x 45 mm
Weight:	400g

Colour and materials

Colour:	white
Material:	metal

Certificates & standards

IP protection:	IP 40
Protection class insulation	class II (safety insulation)

*Every custom change of product affects the price of product.

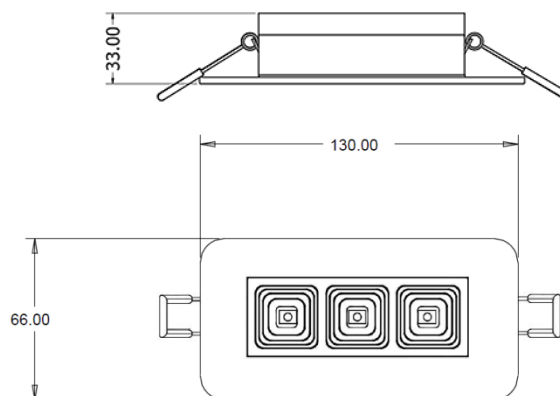
Ordering information

Code	Description
FL SOLO2.01	LED SET PRIMASOLO 2.0 METAL WHITE 2700K ND
FL SOLO2.02	LED SET PRIMASOLO 2.0 METAL WHITE 3000K ND
FL SOLO2.03	LED SET PRIMASOLO 2.0 METAL WHITE 4000K ND

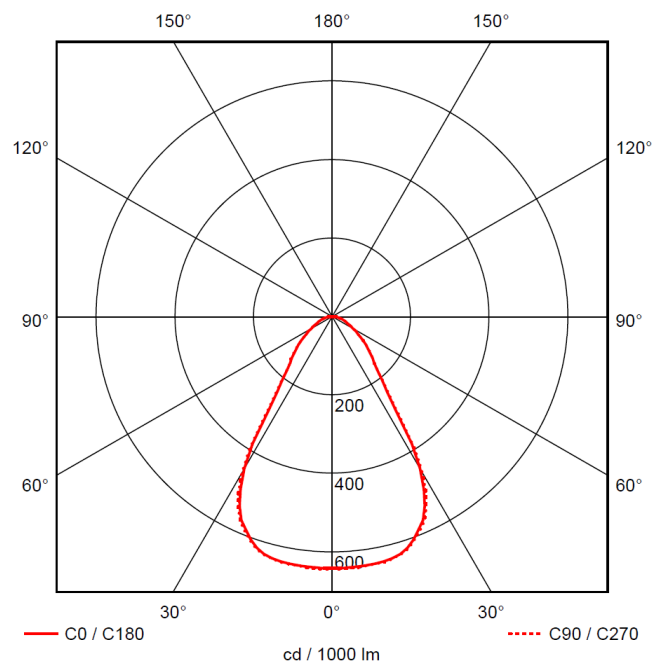
Manufacturer reserves all rights to make changes in materials and components used its products. All data are subject to change without prior notification.



Dimensional drawing



Light distribution



Additional product data