



Sfera LED downlight

- Very energy efficient LED downlight (92 lm/W)
- Easy to install and maintain
- Great thermal management

Product benefits

- Very high efficiency 92lm/W and low power consumption 29W.
- High lumen output 2726 lm with wide light angle 95°.
- Simple installing with three screw fixing system.
- Great thermal management with optimized aluminium heat sink.
- Developed and made in Europe with 3 year warranty.

Technical data

Electrical data

Input voltage:	AC 230V /50Hz
Power consumption:	29W
Efficiency:	87%
PFC:	>0.9
Life span:	>50.000
Light control:	optional

Optical technical data

LED QTY:	144
Luminous flux (4000K,25°C):	2726 lm
Color temperature:	3200K, 4000K, 5000K, custom*
CRI:	>80
Luminous efficacy:	92 lm/W
Light angle:	95°

Mechanical data

Operating temperature:	-25°C ~ +40°C
Dimensions:	ø220 × 120 mm
Recessed opening:	ø 200 mm
Weight:	1,9 kg

Color and materials

Color:	white
Material:	plastic, aluminium

Certificates & standards

IP protection:	IP 40
Protection class insulation	class II (safety insulation)

*Every custom change of product affects the price of product.

Ordering information

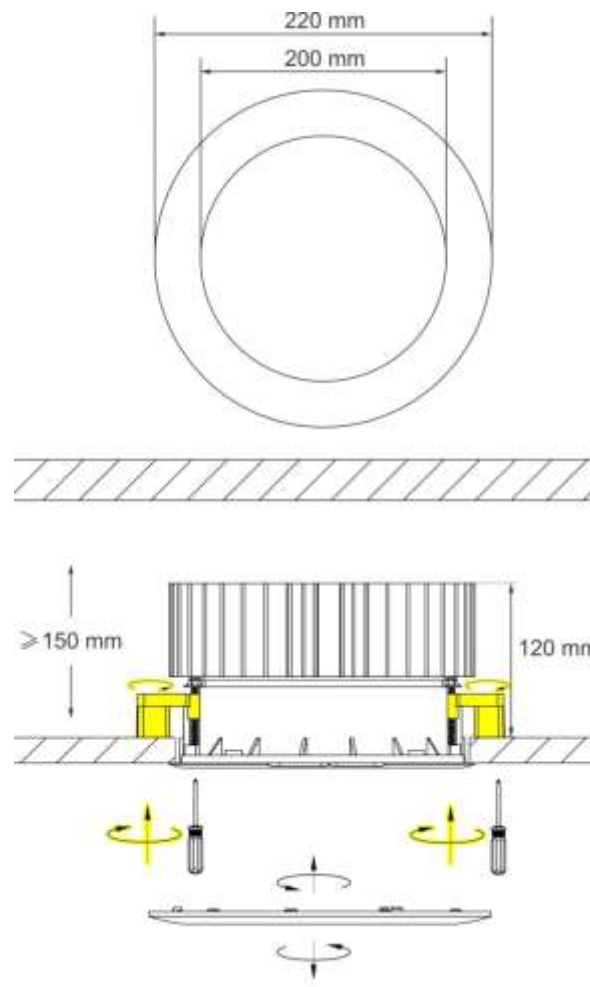
Code	Description

Manufacturer reserves all rights to make changes in materials and components used in its products. All data are subject to change without prior notification.



Additional product data

Dimensional drawing



Light distribution

