

Technical Data Sheet

Prima Solo M



Technical Data Sheet

Prima Solo M



PRODUCT BENEFITS

- Adjustable - bidirectional luminaire for excellent light distribution
- Ceiling-recessed luminaire for general area lighting
- Optical and thermal design for maximum luminaire efficiency
- Various colour possibilities
- Flexible design concept
- Possible regulation with: DALI, ENOCEAN, 1-10V

TECHNICAL DATA

Electrical data

Input voltage:	9,5V ± 0,3V CCS
Power consumption:	3,2-6,4 W
Efficiency:	/
PFC:	/
Life span:	> 50.000 h
Light control:	optional

Optical technical data

LED QTY	3
Luminous flux (4000K):	240 - 422 lm
CCT:	3000K, 4000K, custom*
CRI:	> 80
Luminous efficiency:	75 - 62 lm/W
Light angle:	65°, 30°

Mechanical data

Operating temperature:	-25°C ~ +40°C
Dimensions:	140 x 75 x 37 mm
Recessed opening:	105 x 60 mm
Weight:	260 g

Colour and materials

Colour:	silver, white, black, custom*
Material:	metal

Certificates and standards

IP protection:	40
Energy class:	A+

*Every custom change of product affects the price of product.

ORDERING INFORMATION

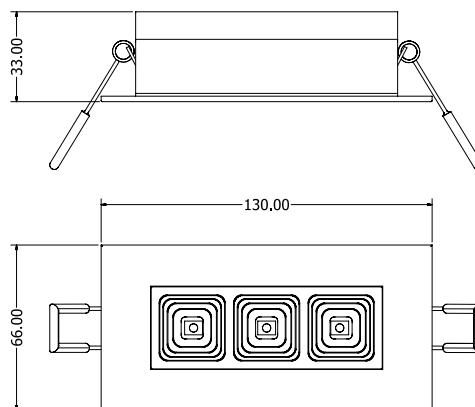
Code	Description
FL11.603.02.40.0.1	LED PRIMASOLO MOVE CCS METAL SILVER 4000K
FL11.603.01.40.0.1	LED PRIMASOLO MOVE CCS METAL SILVER 3000K
FL11.603.04.40.0.1	LED PRIMASOLO MOVE CCS METAL WHITE 4000K
FL11.601.02.40.0.1	LED PRIMASOLO MOVE CCS METAL WHITE 3000K
FL11.601.01.40.0.1	LED PRIMASOLO MOVE CCS METAL BLACK 4000K
FL11.601.04.40.0.1	LED PRIMASOLO MOVE CCS METAL BLACK 3000K

Manufacturer reserves all rights to make changes in materials and components used in its products. All data are subject to change without prior notification.

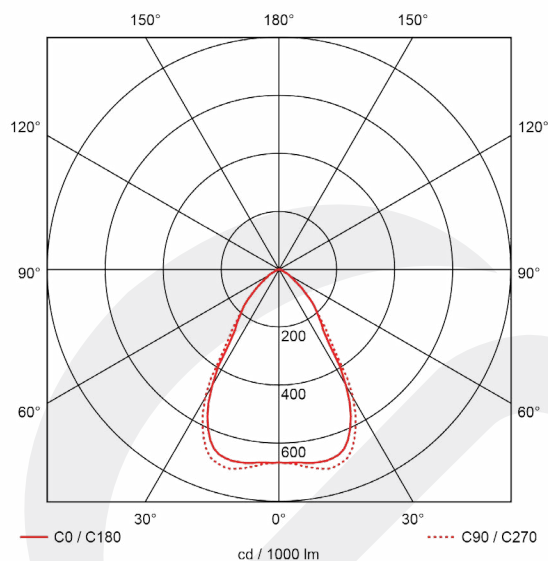


ADDITIONAL PRODUCT DATA

Dimensional drawing



Light distribution



FTA d.o.o.

Cesta Leona Dobrotiška 21a
 SI-3230 Šentjur, Slovenia
 Phone: +386 3 746 19 30
 Fax: +386 3 746 19 37
 E-mail: info@fosilum.com